

INSTRUCTIONS FOR INSTALLING THE HP 08515-60003 ANTI-ROTATION CLAMPS

INTRODUCTION

The HP 08515-60003 Anti-Rotation Clamps are used to secure the RF connections at the test ports of several Hewlett-Packard test sets. When installed, each clamp holds the large nut that secures the test set RF port connector to the front panel, and the RF cable connector or the front panel adapter mated with the port connector.

Without the clamps, the test port connections may become loose after moving the connected device and could invalidate calibrations and measurements.

PROCEDURE

NOTE: Although the anti-rotation clamps may be used with front panel adapters, these instructions refer to an installation using the HP RF Cables. Adapter installations will be similar.

1. Two anti-rotation clamps are included in the test set accessories box. Remove one from the box and loosen the thumbscrew until it is almost out of the counter-bored hole in the clamp body.

Gently push the clamp (round-hole end first) over and past the RF cable connector you will connect to the test set RF port. The rubber O-ring in the round end of the clamp will fit tightly over the connector. Wiggle the clamp if necessary to get it over the connector.

Connect the cable to the test port and tighten as specified in the cable manual.

2. Important! The test set RF connector is easily loosened so hold the RF cable throughout the rest of this procedure. Do not allow the cable to rotate.
3. See Figure 1. Turn the clamp so that the thumbscrew is pointing up. From there, turn the clamp to visually align the clamp flats with the flats on the test port connector nut. This will minimize rotating the connector in the next step.

NOTE: The flats may be in any orientation in respect to the front panel.

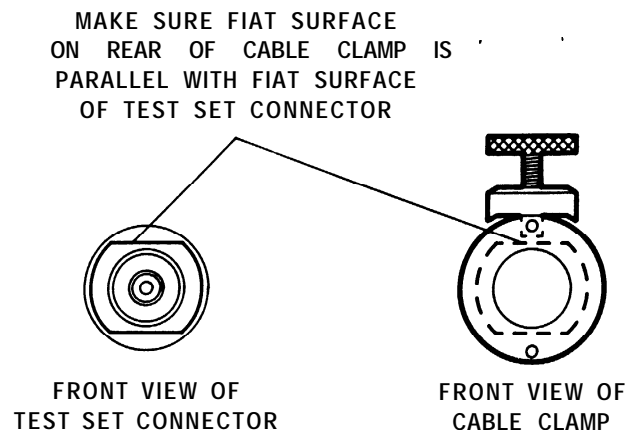


Figure 1. Visually Aligning Clamp and Nut Flats

- See Figure 2. Hold the cable with one hand and with the other, press the clamp gently and steadily while wiggling the clamp straight over the RF connector and onto the test port connector nut. The internal flats in the clamp must fit over the flats on the test port connector nut. Try not to rotate the clamp as you do this or the RF connection may be loosened.

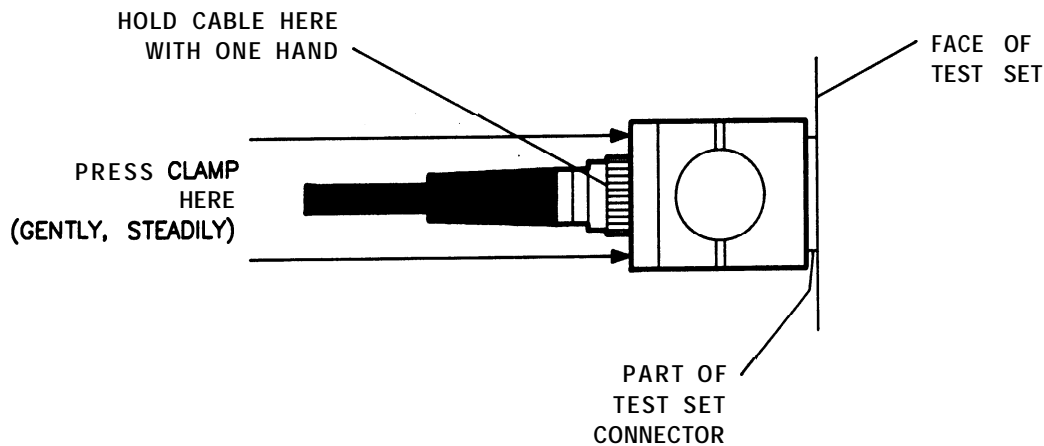


Figure 2. Mating the Clamp and Nut Flats

- See Figure 3. Make sure that the thumbscrew is aligned with the counter-sunk hole in the clamp body. Push the clamp toward the test set front panel and then tighten the thumbscrew with your fingers. The cable cannot be damaged by tightening the thumbscrew too tightly.

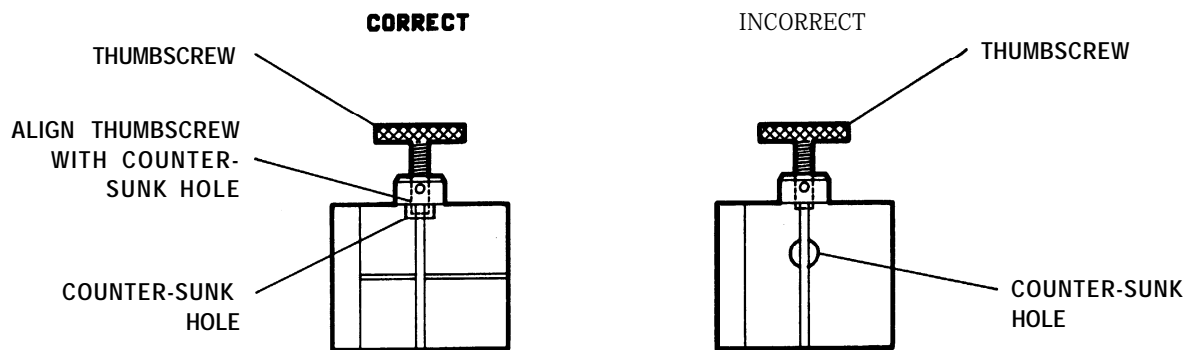


Figure 3. Aligning the Thumbscrew With the Counter-bored Hole

- Repeat steps 1 through 5 for the other clamp.

This completes the anti-rotation clamp installation procedure. Refer to the installation section of the test set operating and service manual for instructions to replace the internal O-ring in the anti-rotation clamp.